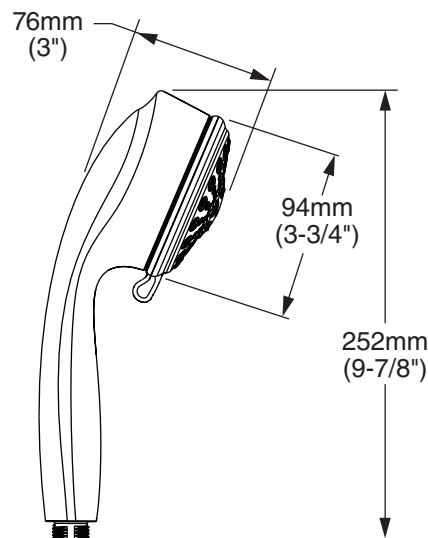




MODEL NUMBER:

1660.637 Modern 5-Function Hand Shower



GENERAL DESCRIPTION:

5-Function hand shower. Spray pattern adjusts from full spray to full/massage combination (1) to pulsating massage to massage/mist combination (2) to power mist. Includes pressure compensating flow control device. Includes check valve to prevent cross flow of hot and cold water. Easy clean spray nozzles. 2.5gpm/9.5L/min. maximum flow rate.

PRODUCT FEATURES:

Variety of Spray Patterns: Allows the user to select the type of spray best suited to their needs.

Pressure Compensating Flow Control Device: Provides consistent flow over a wide pressure range.

Simple Spray Pattern Adjustment: Spray patterns can be changed with a flick of the thumb.

Lightweight, Ergonomic Design: For a sure grip even with wet, soapy hands.

Easy Clean Spray Nozzles: Easily clean lime and calcium buildup. Nozzles will not clog.

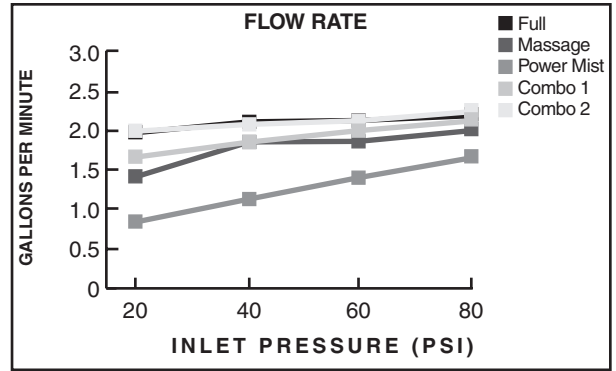
SUGGESTED SPECIFICATION

Hand Shower shall have at least 5 spray patterns. Hand Shower shall have a pressure compensating flow control device. Hand Shower shall include check valve to prevent cross flow of hot and cold water. Fitting shall be American Standard Model # 1660.637.____.

CODES AND STANDARDS

These products meet or exceed the following codes and standards:

**ASME A112.18.1
CSA 125.1**



Product Number	Description	Finish Options	
		Polished Chrome	PVD Satin Nickel
1660.637	Modern 5-Function Hand Shower.	002	295